

SYLAX SERIES 149G BUTTERFLY VALVES

Wafer & Lug Type Butterfly Valve 2" through 12"

With 10 position lockable handle (2"-12") or Gear Box (2"-12")



Applications and features

REV: 4

Designed for water supply, HVAC and general industries.

- Body types: wafer style with four centering lugs for easy installation. Lug Style with drilled and tapped lugs for direct bolting to pipe flange.
- Epoxy coating: internally and externally.
- Ease of maintenance: interchangeable parts including discs, shafts, and liners - simplifying service and reduces maintenance costs.
- Blow out proof shaft
- Spline driven one piece shaft connected to spherically machined disc allows high torque transmission i.e. quick response with minimum back-lash
- Floating disc design allows self centering - preventing wear on the liner
- Tongue and groove seat design assuring long term tightness, Bidirectional dead end service (lug style only).
- Extended service life with upper and lower anti-friction bearings
- Standard ISO top flange for direct mounting of actuator
- Lockable 10 positions handle (2"-12" standard) or gear operation.

Pneumatic actuators



10-Position Lockable Handle

Gear Box with Handwheel

SYLAX

Simple, high quality construction



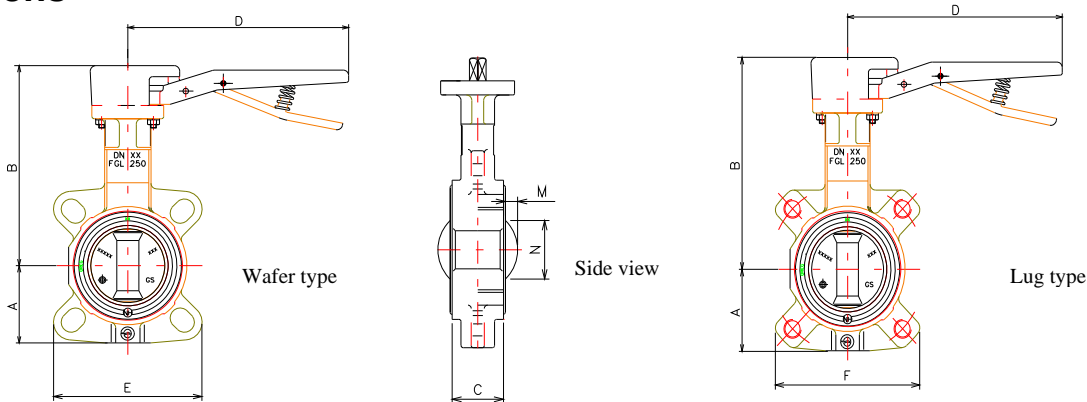
Technical features:

Description	Material
Valve Body	Cast Iron ASTM A126 Class GG25
Valve Disc	Stainless Stl AISI 316 or Ductile IronGGG40 Nylon/Epoxy Coating
Valve Seat	EPDM Standard or Buna-N and other seat material available
Valve Shaft	Stainless Steel AISI 420, 316SS
Shaft Bushings	PTFE lubricated plated steel
Top Flange	ISO 5211 standards
Face to face	API 609 table1 (ISO 5752 class 20, DIN 3202 part 3 K1 BS 5155 table6 col.4)
Pressure rating	200 PSI / 16 bar for ANSI 150 Flange
Temperature rating (EPDM Seat Liner)	Min +14°F (-10°C) Max +230°F (+110° C)

FLOMATIC VALVES

SYLAX Model 149G Butterfly Valve

Dimensions

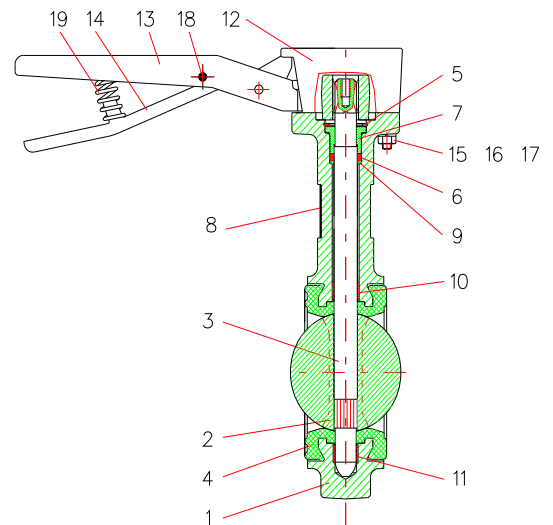


Size	DN mm	A	B	C	D	E	F	M	N	WEIGHT Lbs		Bolt Requirement	
										Wafer Type	Lug type	# Bolts	Size/UNC thread
2"	50	2.44	6.77	1.69	7.87	4.80	5.00	.12	.91	7.5	8.8	4	5/8-11X 1½
2 ½"	65	2.75	7.13	1.81	7.87	5.39	5.51	.35	1.77	8.4	11.1	4	5/8-11X1¾
3"	80	3.50	7.36	1.81	7.87	4.96	7.71	.33	1.81	8.8	12.2	4	5/8-11 X1¾
4"	100	4.17	8.31	2.05	11.42	5.98	8.19	1.10	3.31	12.8	18.5	8	5/8-11 X1¾
5"	125	4.72	8.90	2.20	11.42	7.17	9.53	1.30	4.37	17.2	21.7	8	3/4-10X2
6"	150	5.2	9.41	2.20	11.42	8.11	10.63	1.79	5.43	18.1	26	8	3/4-10X2
8"	200	6.46	11.54	2.36	17.72	10.43	13.19	2.71	7.54	36.6	50.8	8	3/4-9X2¼
10"	250	7.87	12.56	2.68	17.72	12.52	15.75	3.66	9.76	51.2	61.8	12	7/8-9X2¼
12"	300	9.37	13.50	3.07	17.72	14.61	17.95	4.37	11.54	68.4	93	12	7/8-9X2 ¾

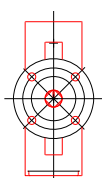
*Note: Cast iron body- ductile iron disc - EPDM liner. See other specification sheets for different types of SYLAX butterfly valve actuators.

Material specification

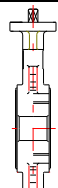
Item	Qt	Description	Materials
1	1	Body	Cast Iron ASTM A126 Class GG25
2	1	Disc	Stainless Steel AISI 316 or Ductile Iron GGG40 Nylon
3	1	Shaft	Stainless Steel AISI 420, 316SS
4	1	Liner (Standard)	EPDM standard, Buna-N Optional and other material
5	1	Spring clip	Stainless steel
6	1	"O"-Ring	Nitrile
7	1	Bushing	Glass filled Acteal
8	1	Metal tag	Aluminium
9	1	Safety bushing	SS 304 L
10	1	Upper guide bushing	PTFE on plated steel
11	1	Lower guide bushing	PTFE on plated steel
12	1	Cap	Cast Iron ASTM A126 Class B FG25
13	1	Hand lever	Cast Iron ASTM A126 Class B FG25
14	1	Lever	Cast Iron ASTM A126 Class B FG25
15	2	Cap screw	Plated steel, SHCS
16	2	Stop washer	Plated steel
17	2	Nut	Plated steel
18	1	Pin	Stainless steel
19	1	Spring	Stainless steel



Installation



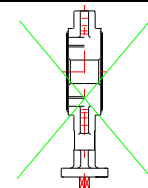
Possible



Possible



Possible



Not recommended